

# LIGHT ECO

## Technical Information

**Do not use Light Eco in wet or damp conditions.**  
**Do not mount Light Eco upside down**

**Every circuit MUST be Current tested**



**Input:** Normal AC voltage frequency 50 or 60 Hz.

**Output:** Full power timer programmable to suit all types of discharge lighting. Set to saving 28% of full power:

**Continuously monitors the supply voltage.** Switches out of Economy when mains voltage drops by 10%

**Continuously monitors the current.** Senses load change, switches out of Economy when additional load is added to allow easy lamp striking for the new load.

Minimum load required is 1 ampere

**Dynamic LCD:** Display shows status of the unit and actual savings.

**Bypass function:** Manual bypass to full power to allow lamp maintenance. Automatic return to economy mode after 60 minutes.

**Programmable:** Optional USB port allows selected operating parameters to be changed by qualified technicians.

**Data store and retrieval:** Last 20 operations stored and retrievable through optional USB port

**Overload protection:** Bypass to direct mains supply if KVA rating is exceeded.

**Environmental Range:** Temperature: -15°C to +50°  
 Humidity: 80%

**Identification:** LE 2.4 LE 3.8 LE 4.8

**Load:** 2400VA 3800VA 4800VA

**Weight:** 5.5kg (14lb) 7kg (15.6lb) 7.5kg (19.5lb)

**Dimensions:** 305 x 170 x 100 mm  
 (12"x 6.6"x 3.8")

**Suggested load (Max.):**

36W fluorescent	40 tubes	60 tubes	80 tubes
40W fluorescent	36 tubes	54 tubes	70 tubes
58W fluorescent	24 tubes	42 tubes	56 tubes
65W fluorescent	20 tubes	30 tubes	40 tubes

## Installation

### Mounting

Light Eco Plus can be wall mounted vertically or horizontally, or ceiling mounted. The unit must have adequate ventilation and should ***never be mounted upside down***. When mounted in rows the following ***minimum separation*** between units must be observed:

<b>Horizontal space between units</b>	<b>50mm</b>
<b>Vertical space between units</b>	<b>100mm</b>

### Electrical Connection

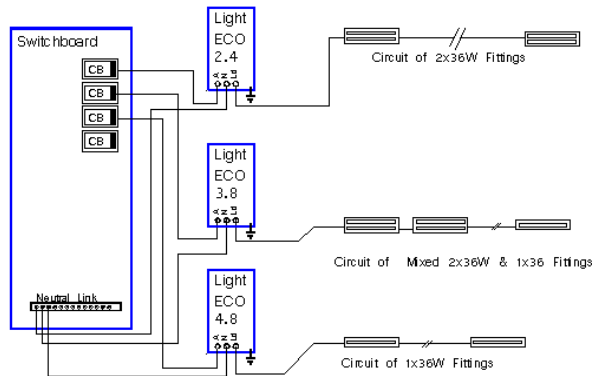
Connections are made at the terminal block under the small cover at the base of the unit. **Only qualified Electrical Contractors may connect Light Eco Plus to the lighting circuits. Before connecting, lighting circuits must be measured for current (amp) load with all lights turned on. Maximum load permitted for each unit is:**

**Light Eco Plus 2.4 - 9 amps**

**Light Eco Plus 3.8 - 14 amps**

**Light Eco plus 4.8 - 18 amps**

### Typical connection for well loaded lighting circuits



### Connection for lightly loaded circuits where some circuits can be combined

